

Push-button module 24 V AC/DC, 1-gang

Art. No. : 4212 TSM

Push-button module 24 V AC/DC, 2-gang

Art. No. : 4224 TSM

Push-button module 24 V AC/DC, 3-gang

Art. No. : 4236 TSM

Push-button module 24 V AC/DC, 4-gang

Art. No. : 4248 TSM

Operating instructions**1 Safety instructions**

Electrical devices may only be mounted and connected by electrically skilled persons.

Serious injuries, fire or property damage possible. Please read and follow manual fully.

Danger of electric shock. During installation and cable routing, comply with the regulations and standards which apply for SELV circuits.

Use only the enclosed plastic screws. Device fault possible due to electrostatic discharge.

These instructions are an integral part of the product, and must remain with the end customer.

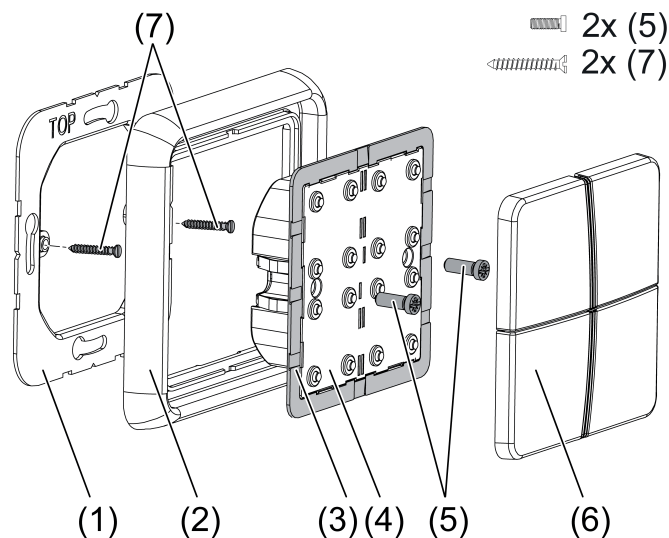
2 Device components

Figure 1: Device components

- (1) Supporting frame
- (2) Frame
- (3) Adapter frame, optional
- (4) Push-button module
- (5) Plastic screws
- (6) Buttons
- (7) Box screws

3 Function

Intended use

- Connection to the Universal relay station (see chapter 5.2. Accessories) or other SELV control systems.
- Installation in appliance box according to DIN 49073.

Product characteristics

- Functions: switching, pushbutton control, blind control in conjunction with control systems.
 - Completion with set of buttons
 - Two red status LEDs for each button
- i** When these push-button sensors are used with the PHC system supplied by PEHA, the acknowledgment LED function cannot be guaranteed. Please contact our technical support.

4 Information for electrically skilled persons

4.1 Fitting and electrical connection



DANGER!

Electrical shock when live parts are touched.

Electrical shocks can be fatal.

Before carrying out work on the device or load, disengage all the corresponding circuit breakers. Cover up live parts in the working environment.

Snapping on the adapter frame

An adapter frame is required for CD design ranges.

- With the adapter frame (3) in the correct orientation, snap it from the front onto the pushbutton module (4) (figure 1). Note marking **TOP**.

Mounting and connecting the device

Supporting frame side **A** for A design ranges, CD design ranges and FD design. Supporting frame side **B** for LS design ranges.

- Mount supporting frame (1) in the right orientation on an appliance box. Note marking **TOP** ; marking **A** in front. Use only the enclosed box screws (7).
- Push frame (2) onto supporting frame.
- Connect push button module (4) to relay station (figure 2) as shown in the connection example.

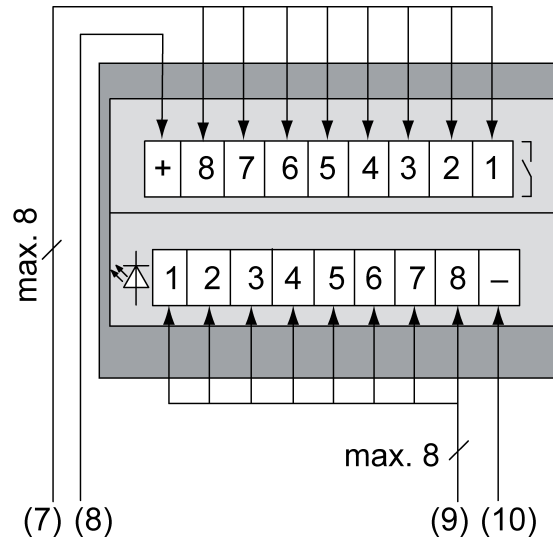


Figure 2: Wiring example for 4-gang pushbutton module

- (7) To relay station, switching inputs **E1...E8**
- (8) To relay station, control voltage **+**
- (9) To relay station, activation outputs **A1'...A8'**
- (10) To relay station, control voltage **-**

Terminal assignment, push button module

	4-gang	3-gang	2-gang	1-gang	
1	1 top	1 top	1 top	1 top	1
2	1 bottom	1 bottom	1 top	1 top	2
3	3 top	3 top	1 bottom	1 top	3
4	3 bottom	3 bottom	1 bottom	1 top	4
5	2 top	2 top	2 top	1 bottom	5
6	2 bottom	2 top	2 top	1 bottom	6
7	4 top	2 bottom	2 bottom	1 bottom	7
8	4 bottom	2 bottom	2 bottom	1 bottom	8

- Attach the push-button module.



DANGER!

When 230 V devices or devices not meeting protection class III are installed together, there is the risk of an electrical shock if there is a fault.

Electrical shocks can be fatal.

Use only the enclosed plastic screws for fastening to the supporting frame!

Tighten the plastic screws only lightly.

- Only fasten the push-button module to supporting frame using the enclosed plastic screws (5).

Installing the buttons

The buttons are available as a complete set of buttons. Individual buttons or the complete set of buttons can be replaced using buttons with icons.

The mounting spider is not required to mount the buttons.

Note marking **TOP**.

- Place the buttons on the device in the right orientation (figure 3) and snap in with a short push.

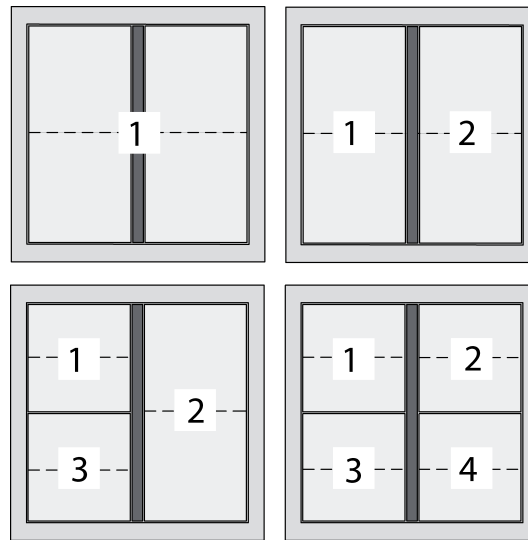


Figure 3: Button assignment

5 Appendix

5.1 Technical data

Push-button	
Rated voltage	AC/DC 24 V SELV
Switching current	max. 20 mA
LEDs	
Rated voltage	DC 24 V SELV
Current consumption	approx. 1 mA (per LED)
Power consumption	max. 0.2 W
Connection	
single stranded	0.4 ... 0.8 mm
Ambient temperature	-5 ... +45 °C
Storage/transport temperature	-25 ... +70 °C
Protection class	III

5.2 Accessories

Cover kit 1-gang, complete	Art. No. ..401 TSA..
Cover kit 2-gang, complete	Art. No. ..402 TSA..
Cover kit 3-gang, complete	Art. No. ..403 TSA..
Cover kit 4-gang, complete	Art. No. ..404 TSA..
Cover 1-gang with symbols	Art. No. ..401 TSAP..
Cover 2-gang with symbols	Art. No. ..402 TSAP..
Cover 4-gang with symbols, for button 1 or 4	Art. No. ..404 TSAP..14
Cover 4-gang with symbols, for button 2 or 3	Art. No. ..404 TSAP..23
Adapter frame for CD 500	Art. No. CD 4 AR
Relay station universal, 8-gang	Art. No. RS 8 REG HE

5.3 Warranty

The warranty is provided in accordance with statutory requirements via the specialist trade.

Light Management

Push-button module 24 V AC/DC

JUNG

ALBRECHT JUNG GMBH & CO. KG

Volmestraße 1
58579 Schalksmühle
GERMANY

Telefon: +49 2355 806-0
Telefax: +49 2355 806-204
kundencenter@jung.de
www.jung.de